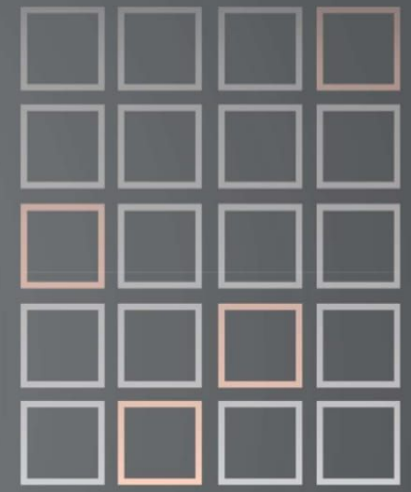


NEWLINE

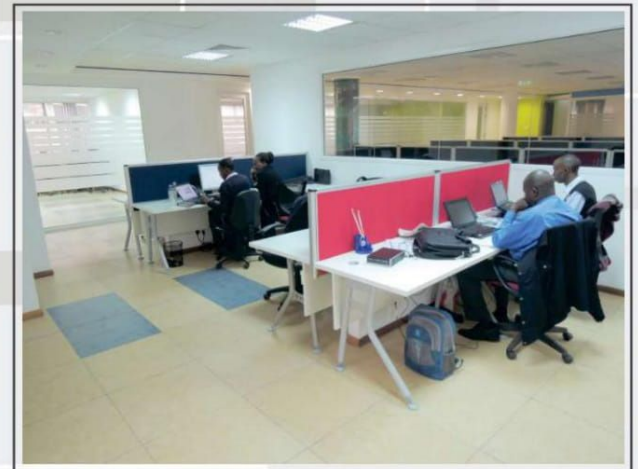
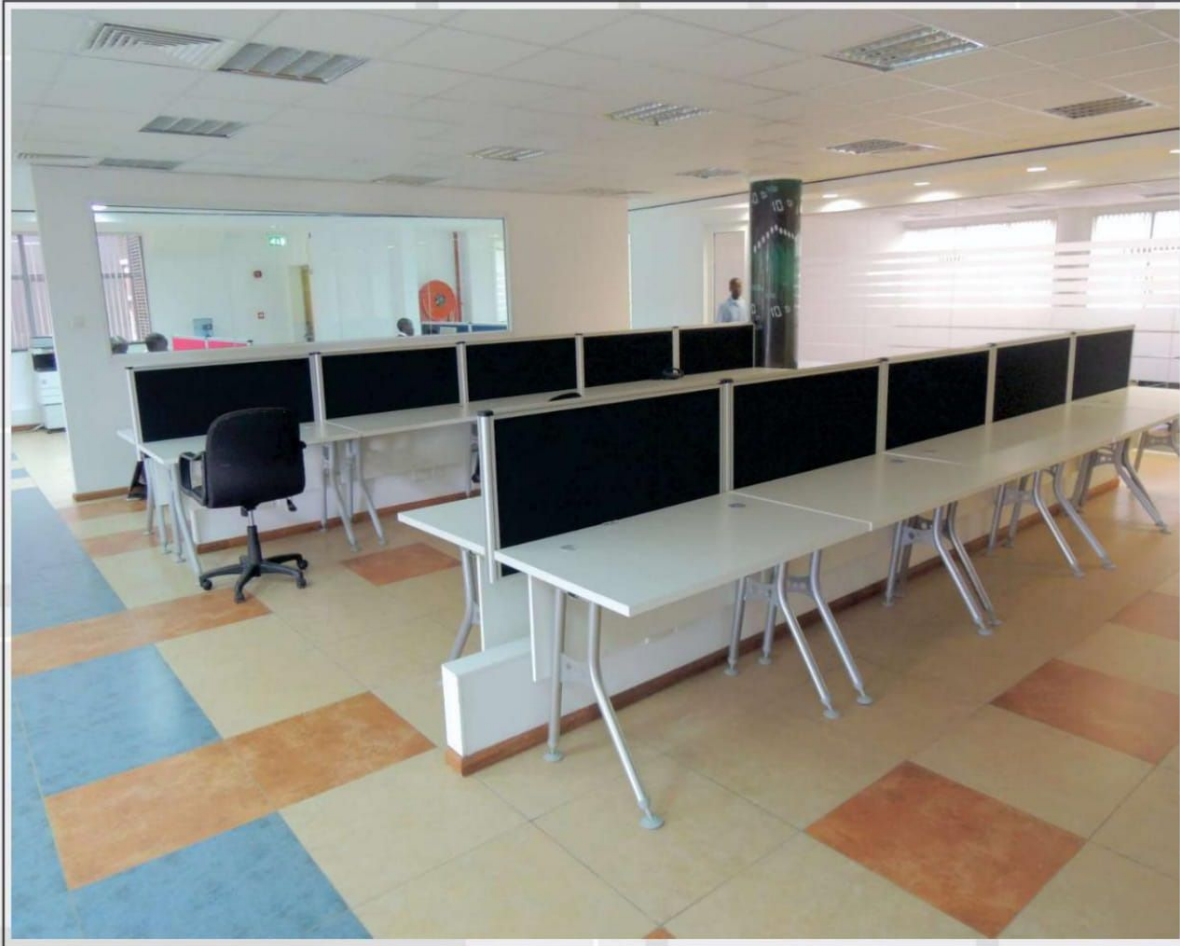
Office Furniture & Kitchens



Reference Catalog



















U.S.I.U.

United States international University







KENYA INSTITUTE
OF ADMINISTRATION
(KIA)



KENYA INSTITUTE
OF ADMINISTRATION
(KIA)



OUR OTHER PRODUCTS

KITCHEN CABINETS, BEDROOM WARDROBES, BATHROOM UNITS

Our Kitchen Cabinets and Bedroom Wardrobes is guaranteed to satisfy our client's needs. The European themed kitchens are customized and fitted according to the client's taste and the space allowance without compromising on aesthetic, quality and efficiency. For a complete beautifully finished kitchen, we offer a wide range of **TEKA brand** of In-Built appliances which are mostly used for bigger projects. They consist of In-built microwaves and ovens, Fridges, Sinks, Taps, Hobs and Hoods. We also manufacture **Hotel Room furniture including Beds and TV Wall Units**.



We are broadening our product range by introducing new raw materials and products for our home range of products both for residential houses and commercial apartments. They include:

1. uPVC Windows

We use the highest quality of materials to produce uPVC windows that last long in the Kenyan climate and are customized to suit our customers' requirements in color, design and dimensions with a high level of resistance to corrosion, rot, chipping, fading, insect assault and discoloration and sturdiness due to the addition of CRP.



2. Foldable Windows

The Foldable Window concept is an innovative Design system that provides durable enhanced mechanism without compromising on your scenery. We offer both sliding windows and fixed windows, with or without shutters.



3. Aluminium Rail System

We can also provide products that can supplement the Window systems and are Stand-Alone, these include Aluminium Railing Systems. These systems can be used for Balconies, Shower Cubicles and Stairs.



4. Doors

We supply various designs of MDF and wood composite Doors which are produced with the most advanced technology and best quality service available. With MDF as the raw material you get a more stable and durable door than wood doors which is also much cheaper.



5. Laminated Floor Panels

We offer laminated wooden floors that have beautiful color which blends in well with most furniture colors and is sufficient for both hot and cold weather conditions. The laminate floors, which are manufactured in Turkey under the highest European standards do not require adhesive due to their interlocking system thus making them easy to install.



6. TrendyHomes.co.ke

We have opened an Online Home Furniture shopping line, **trendyhomes.co.ke**, which is the first online furniture store of its kind in Kenya with secured payment options. It features Kenyan made furniture that shall cater for the middle and lower end market.



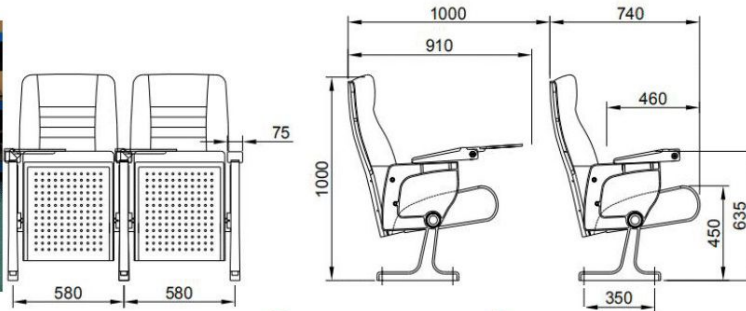
www.newline.co.ke



NAIROBI SHOWROOM

Chester House, Ground Floor, Loita St
P. O. Box 10245-00100, Nairobi.
Tel No: +254 20 3315110-3
Fax: +254 20 3315114
Mobile: +254 713 235 559
Alt. Mobile: +254 713 235 563
Email: newline@newline.co.ke

SIZE



01

BACK & SEAT SPONGE

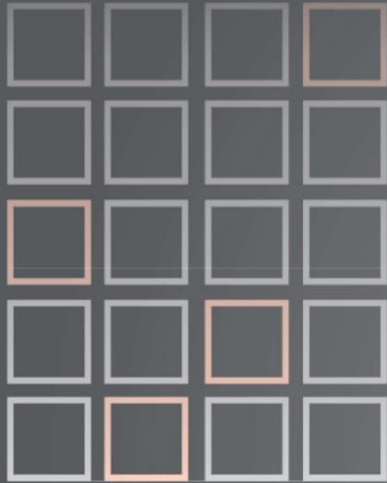
High-density PU, molded by cold foaming.

02

ARMREST COVER

Imported timber externally applied with polyester coating.





NEWLINE®

Office Furniture & Kitchens

www.newline.co.ke

